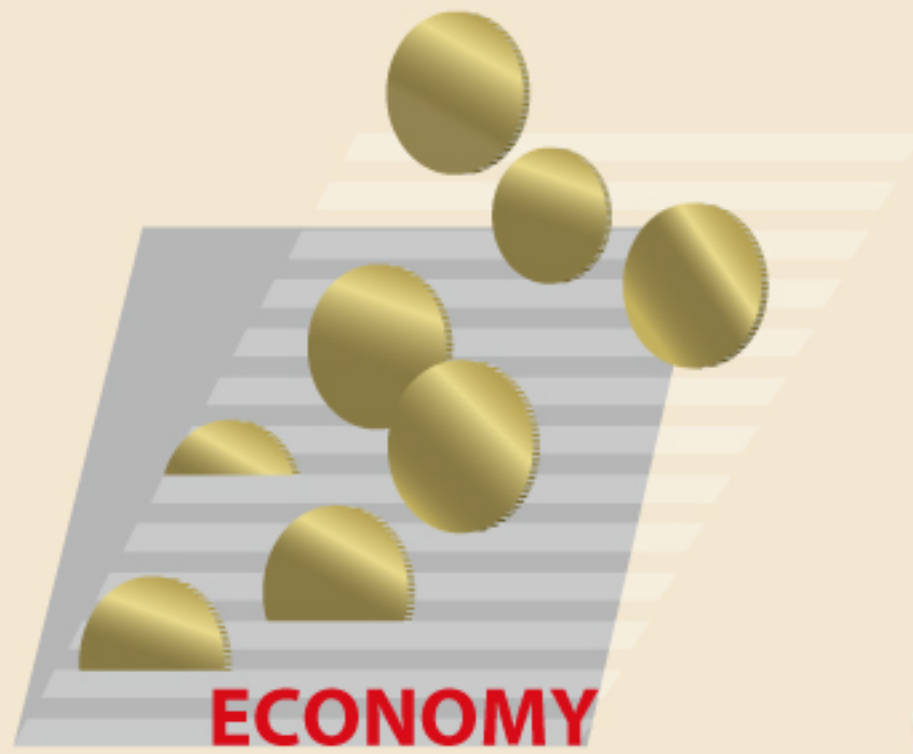


TP-202



These machines are our most economical solution for Semi-Auto application. For low to medium volume strapping, our Semi-Auto machine is your best choice. In this category, we have two product lines:

- Economy machine TP-202, TP-203, TP-202L
- New generation machine Genesis TP-502

SEMI-AUTO STRAPPING MACHINE

Economy Machine

Mr. Reliable

TP-202

TP-202 is an affordable, portable, and compact semi-auto strapping machine. It is designed for general purpose and can meet your various applications. With thousands of machines exported to the world every year, the quality of TP-202 is highly proven. That's why we call this machine Mr. Reliable.

Made in Taiwan with pride. The best sales in the world.



Main Features

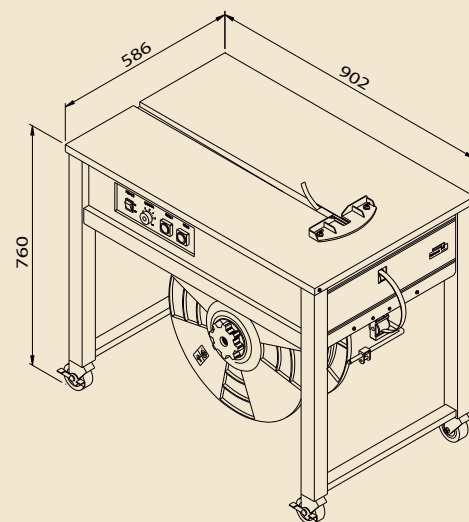
- High engineering standard and simple design



- Easy operation, simple maintenance
- Hinged stainless steel top plate
- Mechanical outside tension control
- Rigid castors with brake
- Energy efficient, motor only runs as needed
- Reliable P.C. Board control
- Affordable for every budget
- Offer maximum total value among competing brands
- Proven quality

Options

- Adjustable table height from 760 mm to 930 mm
- Safety switch under table top
- Adjustable cooling time (0-2 sec.)
- Stainless steel frame SUS 304 (TP-201CES)



TP-202 Technical Data

Strap Width 6 mm-15.5 mm

Strap Tension 15-45 kg

Net Weight 85 kg

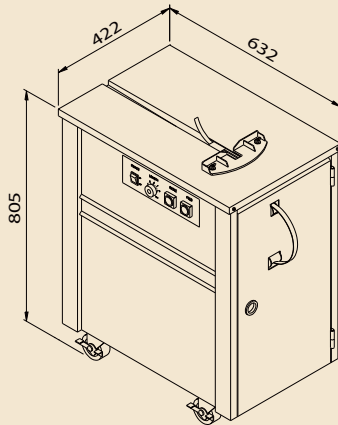
Electrical Requirements

110V, 220V, 230V 50/60Hz 1PH

TP-203

Mini-type model

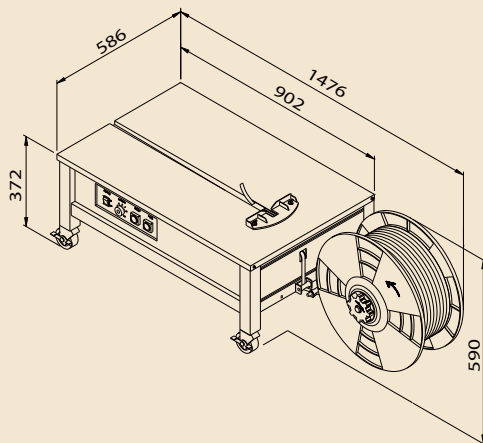
- Designed specifically for the use in office, bank, post office, book and department store, etc.
- Equipped with **Smoke exhaust system**
- Other features are the same as TP-202



TP-202L

Low-table model

- Designed to accommodate bulky or heavy packages
- Other features are the same as TP-202



Options

- Safety switch under table top
- Adjustable cooling time (0-2 sec.)

TP-203 / TP-202L Technical Data

Strap Width 6 mm-15.5 mm

Strap Tension TP-203: 9-30 kg

TP-202L: 15-45 kg

Net Weight 80 kg

Electrical Requirements

110V, 220V, 230V 50/60Hz 1PH

Genesis

New Generation Machine

TP-502

Innovative design. It's suitable for a wide range of general applications.



FIXPACK
VERPAKKINGSTECHNIEK
WWW.FIXPACK.NL 0182-392288

15F-1, NO. 17, SEC. 1, CHENGDE ROAD,
TAIPEI 103, TAIWAN
TEL: 886 2 2555 2515
FAX: 886 2 2555 2516
WEB: www.transpakcorp.com
E-mail: transpak@transpak.com.tw

Made in Taiwan

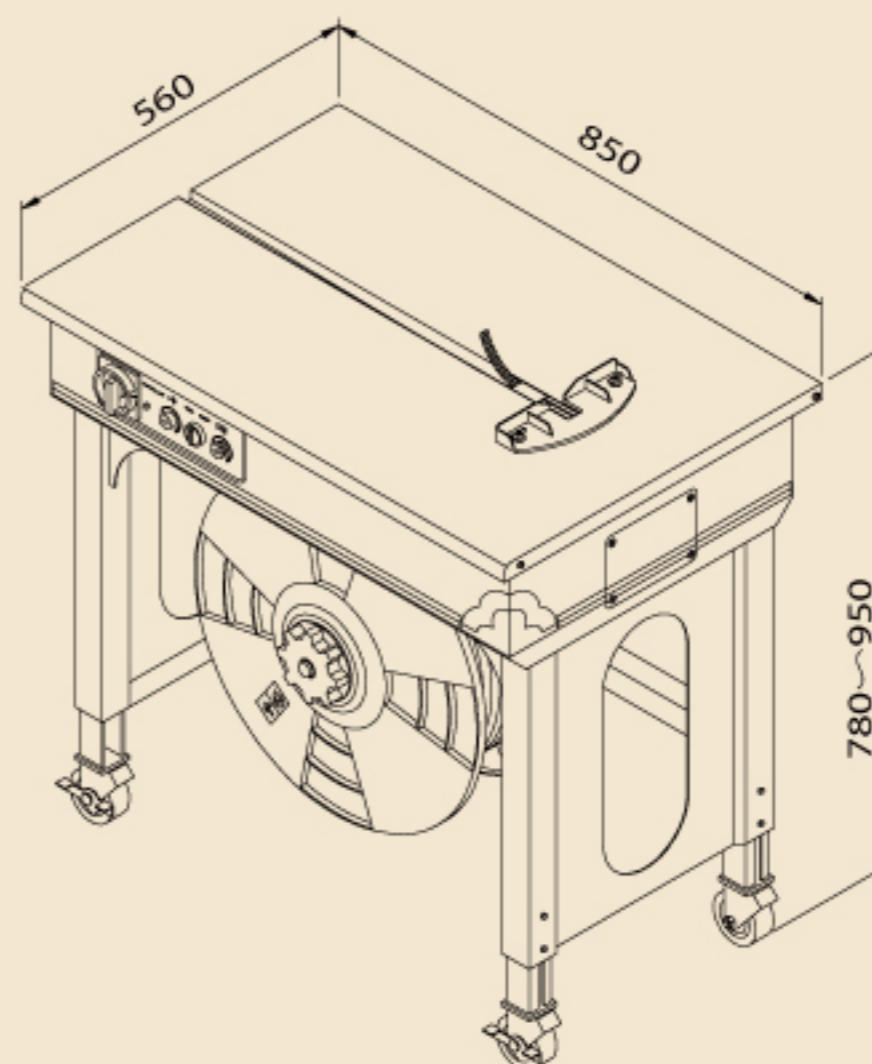
10.2013x2000

Main Features

- **Compact Mechanical Strapping Head**
With 30% less moving parts than conventional machines substantially reduces maintenance issues. There are no belts, chains or pulleys. Extremely low noise sealing head.
- **Electronic Tension Control**
Adjustment for wider strap tension (8-45 kg) can be easily done on the front control panel.
- **Jog Switch**
Using the "Jog switch" to adjust the machine to exactly the correct setting for maintenance.
- **Weld-Cooling Timer**
The weld cooling time can be increased to insure high joint efficiency under high tension.
- **Large Main Switch**
The lockable CE rated large main power switch increases safe operation of the machine.
- **Adjustable Table Height**
The table height is adjustable to any height between 780 mm and 950 mm.

Option

- Safety switch under table top



TP-502 Technical Data

Strap Width 5 mm-12 mm or 12 mm-15.5 mm

Strap Tension 8-45 kg

Net Weight 70 kg

Electrical Requirements

110V, 220V, 230V 50/60Hz 1PH



All specifications are subject to change without notice.